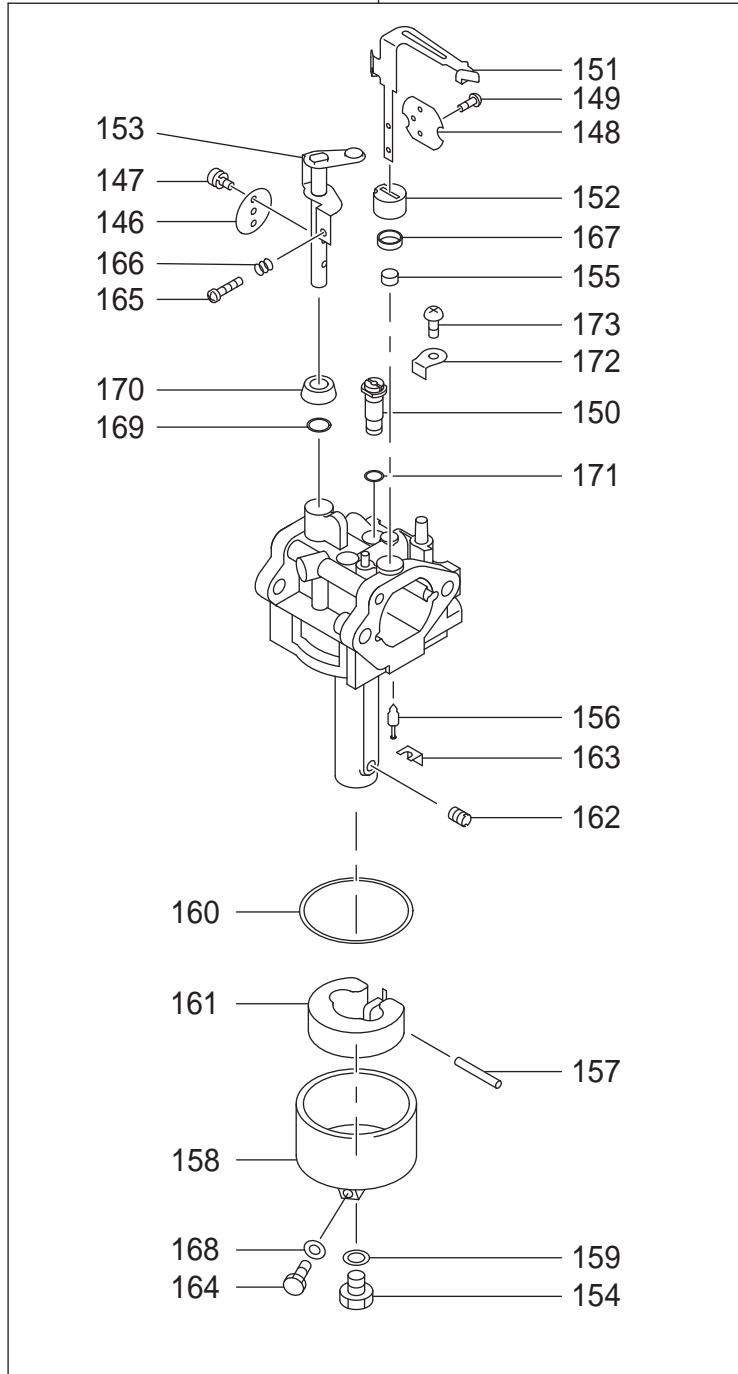
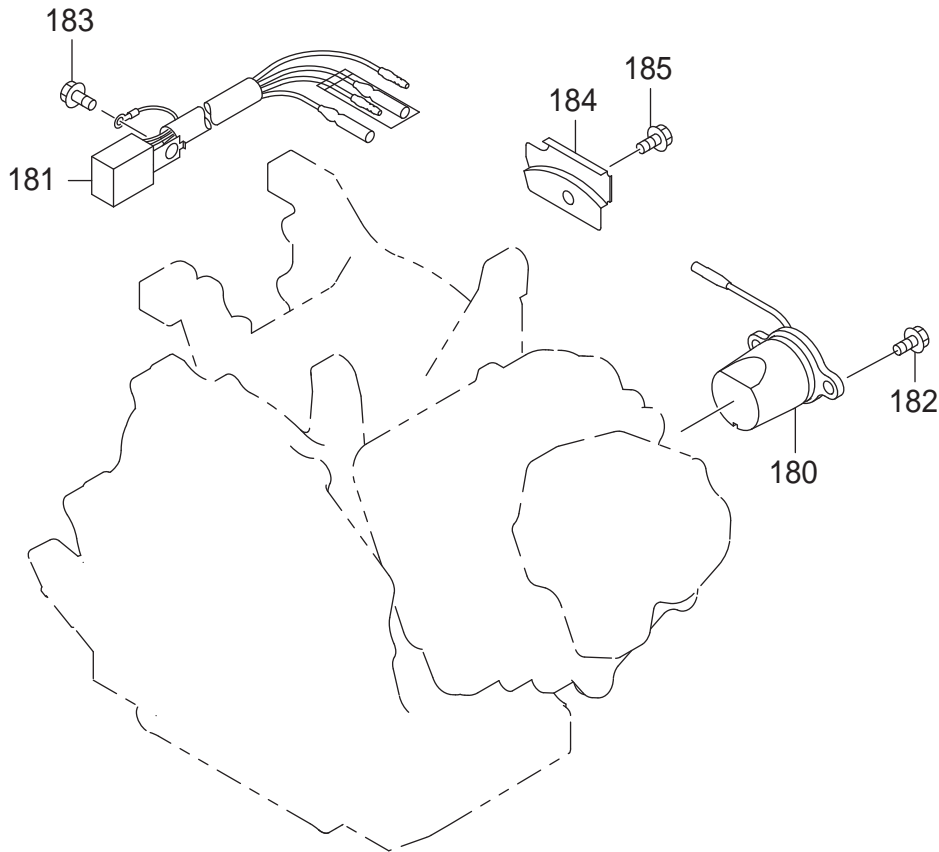
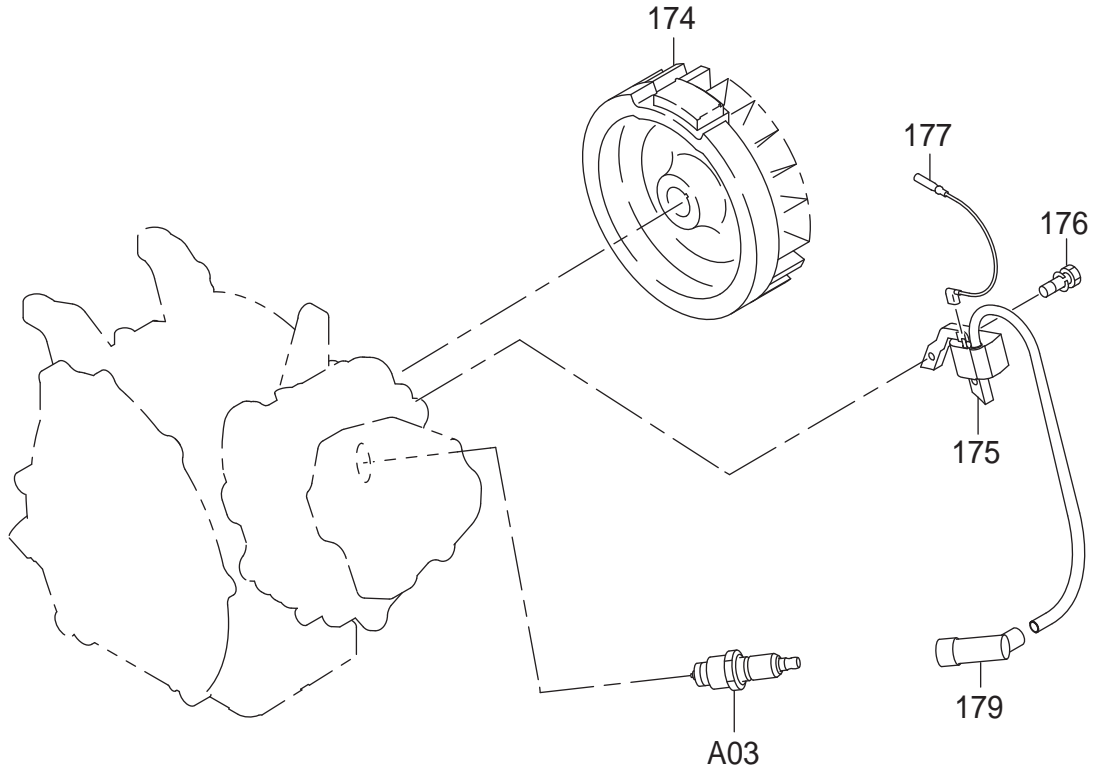
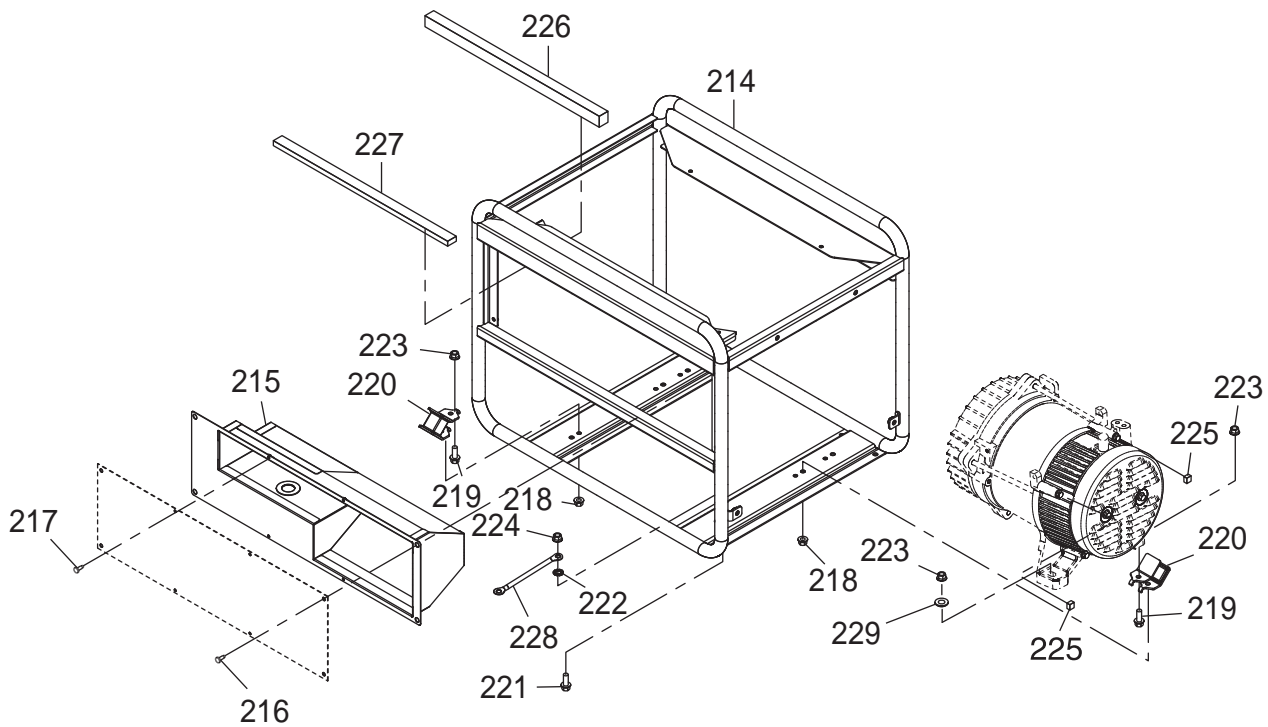
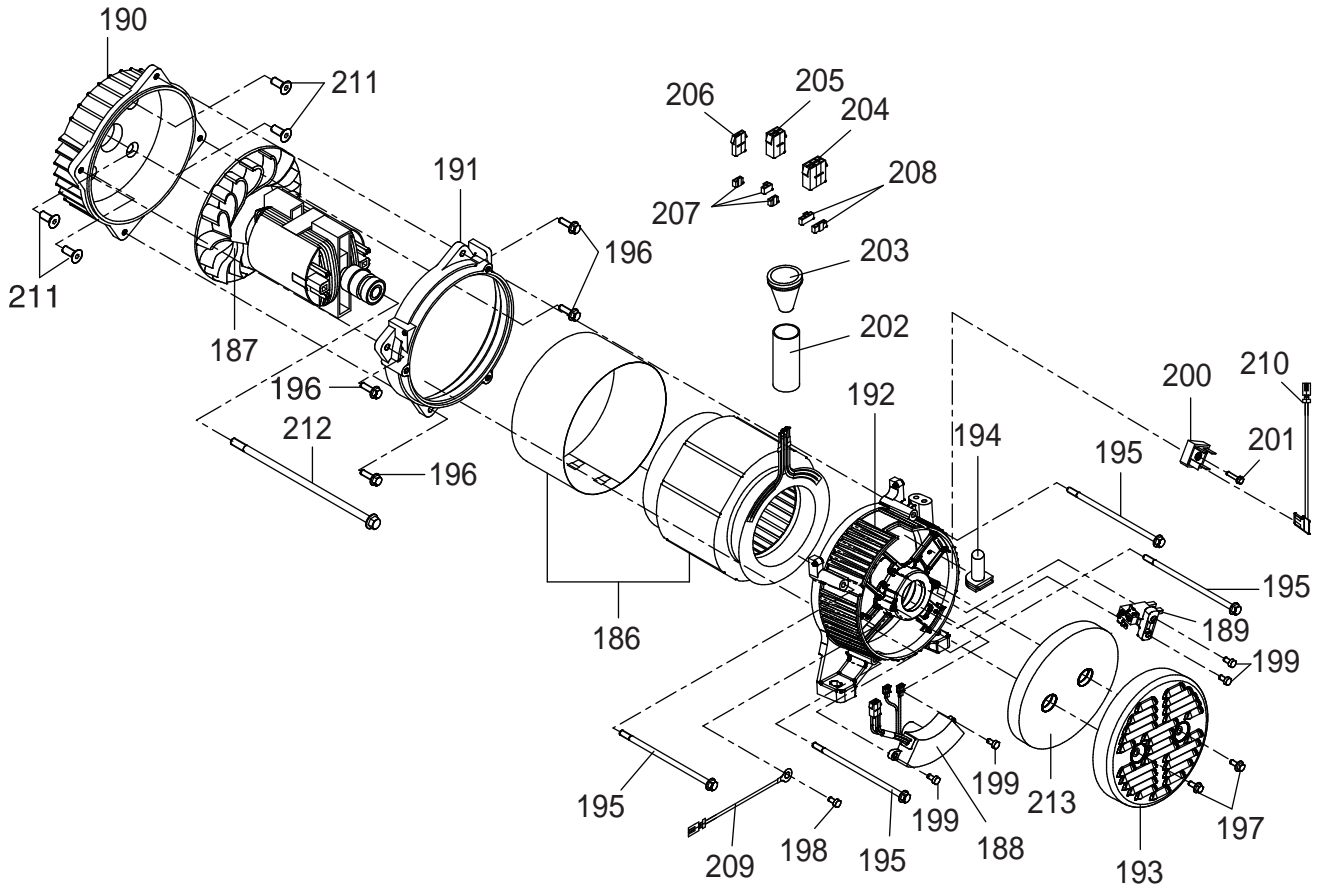
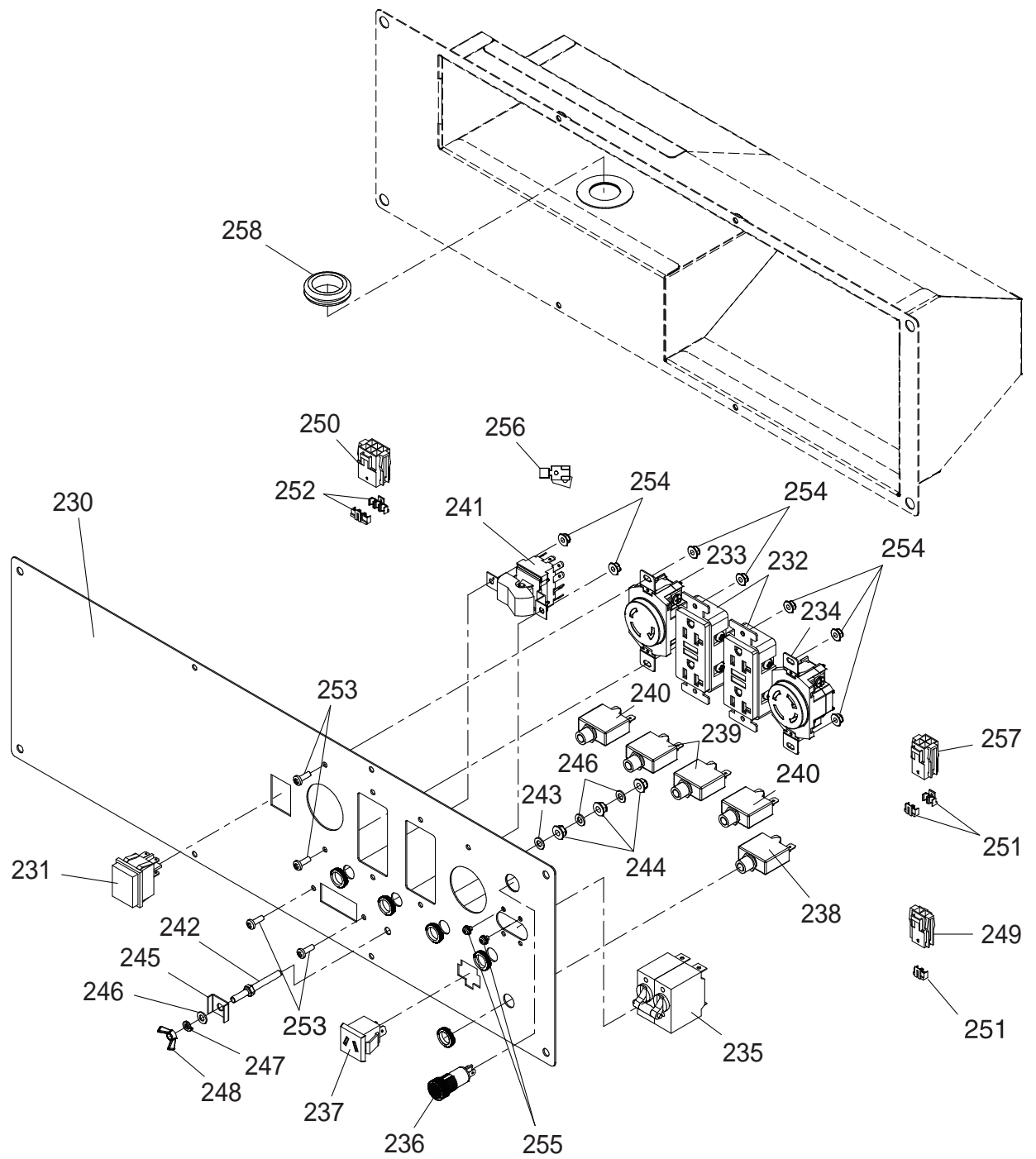


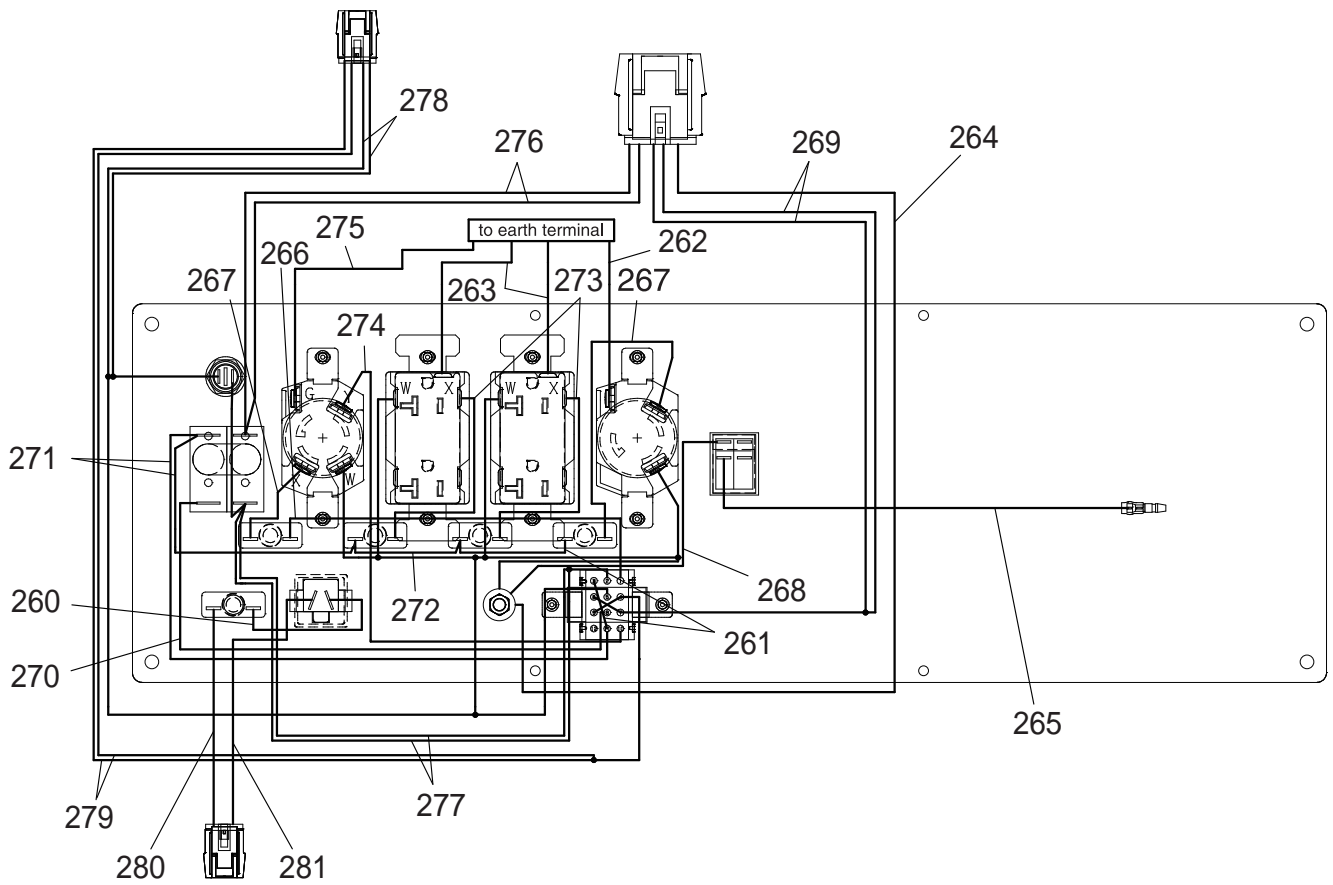
145

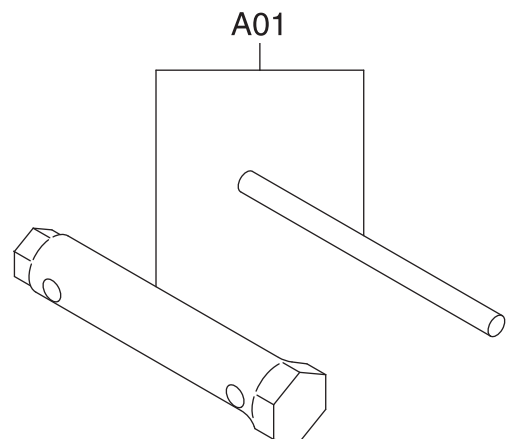
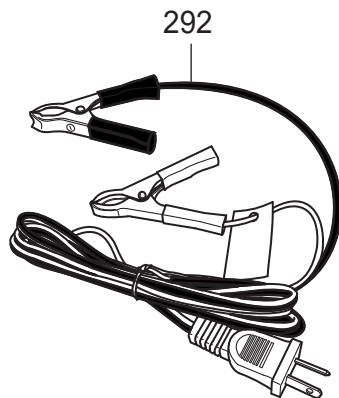
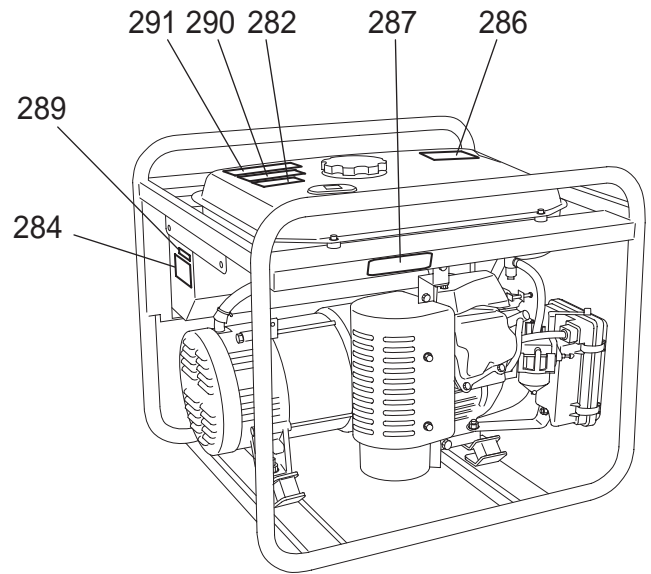
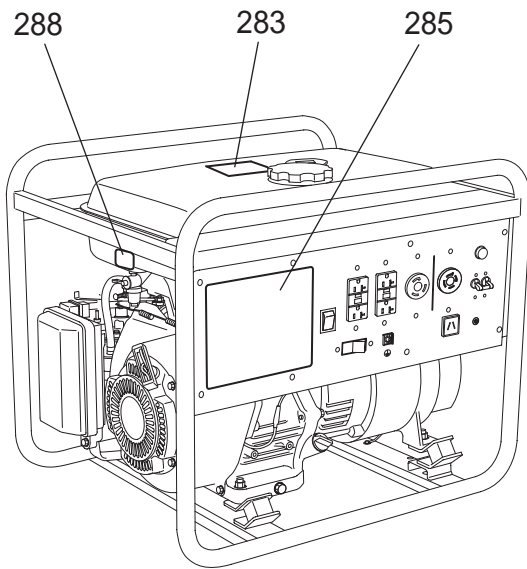












Item No	Type	Ref	Part No	Description	Qty	Unit
001			291-10102-51	CRANK CASE CP	1	PC.
		INC.		Item No. 4-6,9		
002			237-14202-03	VALVE GUIDE (OVERSIZE)	2	PC.
003			277-16010-01	STEM SEAL	1	PC.
004			044-03001-60	OIL SEAL 30DX45DX7B	1	PC.
005			060-03003-41	BALL BEARING 6206 30DX62DX16B	1	PC.
006			277-15011-03	PIPE KNOCK 10.3DX8.5DX14L	2	PC.
007			010-50802-90	MUFFLER STUD	2	PC.
008			010-50604-10	STUD M6X1.0X107L	2	PC.
009			044-00600-20	OIL SEAL 6DX10DX2.5B	1	PC.
010			040-11400-30	PLUG	2	PC.
011			021-11400-20	GASKET	2	PC.
012	2		279-11101-31	MAIN BEARING COVER CP	1	PC.
		INC.		Item No. 13-14		
013			044-03001-60	OIL SEAL 30DX45DX7B	1	PC.
014			060-03003-70	BALL BEARING 6206 30DX62DX16B	1	PC.
015	1		277-45004-J1	GOVERNOR GEAR COM.	1	PC.
	2		277-45004-K1	GOVERNOR GEAR COM.	1	PC.
016	2		277-41902-01	GOVERNOR SLEEVE COM	1	PC.
017	3		021-32000-50	GASKET	2	PC.
018			279-63601-30	OIL GAUGE AY	2	PC.
		INC.		Item No. 17		
019			001-04083-50	FLANGE BOLT	7	PC.
020			279-13002-31	CYLINDER HEAD CP	1	PC.
		INC.		Item No. 2-3,7-8		
021			279-15001-33	GASKET (HEAD)	1	PC.
022			011-00802-40	FLANGE BOLT M8X1.25X16DX68L	4	PC.
023			011-00803-10	FLANGE BOLT M8X33L	1	PC.
024	1		277-15503-01	ROCKER COVER COM	1	PC.
	2		277-15503-11	ROCKER COVER COM	1	PC.
025	1		277-16001-13	GASKET(ROCKER COVER)T=0.7	1	PC.
	2		277-16001-23	GASKET(ROCKER COVER)T=0.7	1	PC.
026			277-15011-03	PIPE KNOCK 10.3DX8.5DX14L	2	PC.
027			011-00600-20	FLANGE BOLT M6X1.0X14DX12L	4	PC.
028			279-99001-37	GASKET SET	1	PC.
		INC.		Item No. 11,17,21,25,69,79,80		
029			291-20701-01	CRANK SHAFT CP	1	PC.
030			018-01800-10	FLANGE NUT M18X15X31DX14H	1	PC.
031			032-30300-10	WOODRUFF KEY	1	PC.
032			291-22501-00	CONNECTING ROD AY	1	PC.
		INC.		Item No. 33		
033			279-23001-03	CONNECTING ROD BOLT M7X1X13.8D	2	PC.
034			279-23301-13	PISTON PIN	1	PC.
035			291-23401-H3	PISTON	1	PC.
036			291-23501-17	PISTON RING SET	1	PC.
037			056-51800-10	CLIP	2	PC.
038	1		279-31602-11	* CAM SHAFT COMPLETE	1	PC.
		INC.		* Item No. 41-44		
	5		279-31602-51	* CAM SHAFT COMPLETE	1	PC.
		INC.		* Item No. 41-44		
039			277-35101-01	PIN(CAM SHAFT)CP	1	PC.

Item No	Type	Ref	Part No	Description	Qty	Unit
		INC.		Item No. 40		
040			024-00600-10	O RING 5.8DX9.6D (OLD) - N/L/A as individual part	1	PC.
041			277-38601-03	PIN(SPRING) 4DX8DX9L	1	PC.
042	2		279-36401-13	* RELEASE LEVER	1	PC.
043			277-36501-03	CLIP 13.8DX20.3DX4T	1	PC.
044	4		277-38703-33	* RETURN SPRING	1	PC.
045			279-33601-03	VALVE SPING	2	PC.
046			269-33701-03	SPRING RETAINER	2	PC.
047			279-33401-H3	INTAKE VALVE 28.5DX5.5DX67.8L	1	PC.
048	1		279-33501-H3	EXHAUST VALVE 26.5DX5.5DX67.8L	1	PC.
	2		22E-33501-03	EXHAUST VALVE 26.5DX5.5DX67.8L	1	PC.
049			132-10KA0-31	COLLET VALVE	4	PC.
050	1		291-35601-01	TIMING CHAIN CP	1	PC.
	2		279-35602-H1	TIMING CHAIN CP	1	PC.
051	2		20A-36911-03	TENSIONER	1	PC.
052			277-37101-03	SPRING(TENSIONER)	1	PC.
053			277-36902-03	PIN(TENSIONER) 6DX13DX34L	1	PC.
054	2		20A-36913-03	CHAIN GUIDE	1	PC.
055			277-35004-01	PIN(ROCKER) CP	1	PC.
		INC.		Item No. 56		
056			003-13050-00	CLIP	1	PC.
057			277-36201-00	LOCKER ARM(INTAKE) ASS'Y	1	PC.
		INC.		Item No. 59,61		
058			277-36202-00	ROCKER ARM(EXHAUST)ASS'Y	1	PC.
		INC.		Item No. 60,62		
059			014-90500-20	ADJUST SCREW M5X23	1	PC.
060			014-90500-20	ADJUST SCREW M5X23	1	PC.
061			017-00500-30	NUT M5	1	PC.
062			017-00500-30	NUT M5	1	PC.
063			011-00600-10	FLANGE BOLT M6X1.0X14DX8L	1	PC.
064			279-30502-01	MUFFLER CP	1	PC.
065			31C-14001-01	SPARK ARRESTOR COMPLETE	1	PC.
066			015-00400-10	TAPPING SCREW	4	PC.
067			279-34702-01	MUFFLER COVER CP	1	PC.
068			279-39101-11	MUFFLER BRACKET CP	1	PC.
069			277-35201-13	GASKET(MUFFLER)	1	PC.
070			277-35201-01	GASKET EXHAUST T=1.6 28DX52P	1	PC.
071			002-38080-00	FLANGE NUT	2	PC.
072			002-38080-00	FLANGE NUT	2	PC.
073			011-00600-10	FLANGE BOLT M6X1.0X14DX8L	4	PC.
074			001-14082-00	BOLT & WASHER ASS'Y	2	PC.
075			001-14081-60	BOLT AND WASHER ASSY	1	PC.
076			277-34001-01	EXHAUST PIPE COMPLETE	1	PC.
		INC.		Item No. 77		
077			010-50802-90	MUFFLER STUD	2	PC.
078			279-32902-H1	INSULATOR COM. (OLD# 279-32902-J1 - N/L/A)	1	PC.
		INC.		Item No. 79-80		
079			279-35903-J3	GASKET2(INSULATOR)	1	PC.
080			279-35902-J3	GASKET1(INSULATOR)	1	PC.
081			002-38060-00	FLANGE NUT M6	2	PC.
082			001-04062-00	FLANGE BOLT M6X20	1	PC.

Item No	Type	Ref	Part No	Description	Qty	Unit
083	1		279-39001-01	BRACKET(AIR CLEANER) COMPLETE	1	PC.
	2		279-39001-11	BRACKET(AIR CLEANER) COMPLETE	1	PC.
084			291-66001-H0	RUBBER PIPE AY	1	PC.
085			056-60002-50	CLAMP	1	PC.
086			279-32624-20	AIR CLEANER AY	1	PC.
		INC.		Item No. 87-92		
087			279-32637-28	CLEANER BODY COMP	1	PC.
088			279-32650-18	GASKET	1	PC.
089			279-32646-08	COVER COMPLETE	1	PC.
090			279-32683-08	CLIP 4	2	PC.
091			073-20044-30	LABEL(CHOKE)	1	PC.
092			279-32612-08	FILTER	1	PC.
093			279-42301-60	GOVERNOR LEVER	1	PC.
		INC.		Item No. 98-99		
094			277-42201-33	GOVERNOR SHAFT	1	PC.
095			279-42701-23	GOVERNOR ROD	1	PC.
096			277-42801-23	ROD SPRING 7DX.5DX182L N=16	1	PC.
097			003-13050-00	CLIP	1	PC.
098			001-14062-50	BOLT & WASHER ASS'Y	1	PC.
099			018-60600-20	NUT M6X1.0X4.9H	1	PC.
100			279-42502-73	GOVERNOR SPRING	1	PC.
101			277-46501-11	SPEED CONTROL COMPLETE	1	PC.
102			004-31064-00	SCREW	1	PC.
103			002-17060-00	NUT M6	1	PC.
104			011-00600-20	FLANGE BOLT M6X1.0X14DX12L	2	PC.
105			279-51205-01	BLOWER HOUSING COMPLETE	1	PC.
106			20B-91702-03	LABEL(MAKITA)	1	PC.
107			073-20055-70	LABEL(CAUTION)	1	PC.
108			011-00600-30	FLANGE BOLT M6X1.0X14DX14L	4	PC.
109			279-52711-11	BAFFLE 1 (CASE) COMPLETE	1	PC.
110			279-52702-13	BAFFLE2(HEAD)	1	PC.
111	1		277-55001-21	DUCT (CASE) CP	1	PC.
	2		277-55002-03	DUCT (CASE) CP	1	PC.
112			001-65081-20	BOLT	1	PC.
113			011-00600-20	FLANGE BOLT M6X1.0X14DX12L	1	PC.
114			011-00600-20	FLANGE BOLT M6X1.0X14DX12L	3	PC.
115			013-00602-81	BOLT AND WASHER AY	4	PC.
116			279-59604-13	SPONGE 4	1	PC.
117	2		279-50301-30	RECOIL STARTER ASSY	1	PC.
		INC.		Item No. 118-126, A02		
118			226-50716-08	SPIRAL SPRING	1	PC.
119			277-50121-08	REEL	1	PC.
121			226-50701-18	STARTER KNOB	1	PC.
122			281-50325-08	RATCHET	1	PC.
123			281-50330-08	FRICTION SPRING	1	PC.
124			281-50340-08	FRICTION PLATE	1	PC.
125			279-50148-08	STARTER PULLY	1	PC.
126			281-50351-08	CENTER SCREW	1	PC.
127			36C-36002-01	FUEL TANK CP	1	PC.
128			043-05900-11	FUEL TANK CAP ASSY	1	PC.
129			064-15400-11	FUEL FILTER	1	PC.

Item No	Type	Ref	Part No	Description	Qty	Unit
130			064-80003-00	FUEL GAUGE COMPLETE	1	PC.
131			014-50500-40	SCREW	2	PC.
132			011-00602-20	FLANGE BOLT	4	PC.
133			270-62603-11	FUEL PIPE CP	1	PC.
		INC.		Item No. 134-135		
134	3		X85-10610-17	RUBBER PIPE (1000mm) *Cut in 210mm for repair	1	PC.
135			X56-11100-60	HOSE CLAMP	2	PC.
136			391-39000-13	RUBBER (TANK)	4	PC.
137			064-20100-01	FUEL STRAINER ASS'Y	1	PC.
		INC.		Item No. 138-144		
138	2		064-20014-20	FILTER	1	PC.
139			064-20014-30	PACKING	1	PC.
140			064-20014-10	CUP	1	PC.
141			064-20100-30	LOCK NUT	1	PC.
142			064-20003-30	O-RING	2	PC.
143			064-20027-90	LOCK BOLT	1	PC.
144			064-20032-30	SPRING	1	PC.
145	2		279-62364-20	CARBURETOR ASSEMBLY	1	PC.
146			279-62536-08	THROTTLE VALVE	1	PC.
147			209-62351-08	SCREW ASS'Y	1	PC.
148			279-62528-08	CHOKE VALVE	1	PC.
149			237-62451-08	SCREW	2	PC.
150			279-62422-08	PILOT JET	1	PC.
151			279-62523-08	CHOKE LEVER	1	PC.
152			279-62554-08	RING	1	PC.
153			279-62533-08	THROTTLE SHAFT-A	1	PC.
154			150-62358-08	BOLT	1	PC.
155			277-62571-08	RING	1	PC.
156			224-62305-08	NEEDLE VALVE	1	PC.
157			214-62515-08	FLOAT PIN	1	PC.
158			279-62506-08	FLOAT BODY-A	1	PC.
159			207-62345-08	WASHER	1	PC.
160			206-62540-08	PACKING	1	PC.
161			234-62506-08	FLOAT ASS'Y	1	PC.
162			279-62408-08	MAIN JET	1	PC.
163			226-62701-18	CLIP	1	PC.
164			279-62361-08	BOLT	1	PC.
165			106-62556-08	SCREW	1	PC.
166			283-62357-08	SPRING	1	PC.
167			236-62680-08	SEAL	1	PC.
168			279-62541-08	WASHER	1	PC.
169			246-62390-08	SEAL	1	PC.
170			279-62551-08	RING	1	PC.
171			106-62384-08	O-RING	1	PC.
172			279-62360-08	PLATE	1	PC.
173			279-62351-08	SCREW	1	PC.
174			279-79230-11	FLYWHEEL CP	1	PC.
175	1		279-79430-01	IGNITION COIL COMPLETE	1	PC.
	2		279-79430-11	IGNITION COIL COMPLETE	1	PC.
176			001-04062-00	FLANGE BOLT M6X20	2	PC.
177			277-73102-H1	WIRE 2 COMPLETE	1	PC.

Item No	Type	Ref	Part No	Description	Qty	Unit
179	3		X65-50002-71	SPARK PLUG CAP	1	PC.
180	2		279-76301-61	* OIL LEVEL SENSOR COM	1	PC.
181			KU3-11079-01	FLOAT C/U CP13	1	PC.
182			001-04061-40	FLANGE BOLT	2	PC.
183			013-00602-81	BOLT AND WASHER AY	1	PC.
184			279-75501-13	WIRE CLAMP	1	PC.
185			015-20600-50	TAPPING BOLT	1	PC.
186	2		FJ2-04260-02	STATOR COMPLETE	1	PC.
187	2		FJ90454002	ROTOR CP	1	PC.
188			36C-20202-08	AVR CP	1	PC.
189			36A-20300-08	BRUSH CP	1	PC.
190	2		36C-22000-08	GEN BRACKET 1	1	PC.
191			36A-22100-08	GEN BRACKET N	1	PC.
192			36C-22200-08	GEN BRACKET 2	1	PC.
193			36C-23000-08	BRACKET COVER	1	PC.
194			36C-25001-08	BUSHING	1	PC.
195			36B-21000-08	STATOR BOLT	4	PC.
196			36A-80005-08	FLANGE BOLT	4	PC.
197			36A-80001-08	FLANGE BOLT	2	PC.
198			36A-80100-08	SCREW & WASHER AY	1	PC.
199			36A-80002-08	FLANGE BOLT	4	PC.
200			36A-25001-08	DIODE CP	1	PC.
201			36A-80101-08	SCREW & WASHER AY	1	PC.
202			36C-25002-08	TUBE	1	PC.
203			36A-25003-08	GROMMET	1	PC.
204			36A-70000-08	CONNECTOR(6P)	1	PC.
205			36A-70004-08	CONNECTOR(4P)	1	PC.
206			36A-70002-08	CONNECTOR(2P)	1	PC.
207			36A-70101-08	RETAINER(2P)	3	PC.
208			36A-70100-08	RETAINER(3P)	2	PC.
209			36A-71013-08	WIRE(GREEN)	1	PC.
210			36A-71001-08	WIRE(WHITE)	1	PC.
211			36A-80200-08	SCREW	4	PC.
212			36C-21100-08	ROTOR BOLT	1	PC.
213			36C-25004-08	SPONGE(FILTER)	1	PC.
214			36C-30001-08	PIPE FRAME CP	1	PC.
215			36C-40001-08	CONTOROL BOX AY	1	PC.
216			36A-80104-08	SCREW & WASHER AY	4	PC.
217			36A-80105-08	SCREW & WASHER AY	4	PC.
218			36A-81002-08	FLANGE NUT	4	PC.
219			36A-80006-08	FLANGE BOLT	4	PC.
220			36C-31000-08	MOUNT CP	4	PC.
221			36A-80004-08	FLANGE BOLT	1	PC.
222			36A-82001-08	LOCK WASHER	1	PC.
223			36A-81003-08	FLANGE NUT	4	PC.
224			36A-81004-08	FLANGE NUT	1	PC.
225			36A-25005-08	SPONGE(GEN)	2	PC.
226			36A-35000-08	SPONGE(TANK)	1	PC.
227			36C-35001-08	SPONGE(PANEL)	1	PC.
228			36A-71019-08	WIRE(GREEN/YELLOW)	1	PC.
229			36A-82202-08	WASHER	1	PC.

Item No	Type	Ref	Part No	Description	Qty	Unit
230	1		36C-41006-08	* CONTROL PANEL CP *Serial No. ~ 1013542	1	PC.
	2		36C-41013-08	* CONTROL PANEL CP *Serial No. 1013543 ~	1	PC.
231			36A-49000-08	SWITCH(ENGINE)	1	PC.
232			36A-47002-08	AC CONCENT(GFCI)	2	PC.
233			36B-47000-08	AC CONCENT(L5-30)	1	PC.
234			36B-47001-08	AC CONCENT(L14-30)	1	PC.
235	1		36C-48001-08	* CIRCUIT BREAKER(20A) *Serial No. ~ 1013542	1	PC.
	2		36C-48006-08	* CIRCUIT BREAKER(20A) *Serial No. 1013543 ~	1	PC.
236			36A-49003-08	PILOT LAMP	1	PC.
237			36A-47101-08	DC CONCENT	1	PC.
238			36A-48000-08	CIRCUIT BREAKER(10A)	1	PC.
239			36C-48000-08	CIRCUIT BREAKER(10A)	2	PC.
240			36B-48002-08	CIRCUIT BREAKER(30A)	2	PC.
241			36B-49000-08	SWITCH(V SELECT)	1	PC.
242			36A-80080-08	STUD BOLT	1	PC.
243			36A-82000-08	LOCK WASHER	1	PC.
244			36A-81000-08	FLANGE NUT	3	PC.
245			36A-82100-08	CAP WASHER	1	PC.
246			36A-82200-08	WASHER	3	PC.
247			36A-82300-08	SPRING WASHER	1	PC.
248			36A-81100-08	WING NUT	1	PC.
249			36A-70003-08	CONNECTOR(2P)	1	PC.
250			36A-70001-08	CONNECTOR(6P)	1	PC.
251			36A-70101-08	RETAINER(2P)	3	PC.
252			36A-70100-08	RETAINER(3P)	2	PC.
253			36A-80202-08	SCREW	10	PC.
254			36A-81001-08	FLANGE NUT	10	PC.
255			36A-80103-08	SCREW & WASHER AY	4	PC.
256			36A-70300-08	TERMINAL	1	PC.
257			36A-70007-08	CONNECTOR(4P)	1	PC.
258			36C-49900-08	GROMMET	1	PC.
259			36A-60001-08	CORRUGATED TUBE(100)	1	PC.
260			36A-71076-08	WIRE(WHITE)	1	PC.
261			36A-71077-08	WIRE(BLUE)	2	PC.
262			36A-71078-08	WIRE(GREEN/YELLOW)	1	PC.
263			36A-71079-08	WIRE(GREEN/YELLOW)	2	PC.
264			36A-71080-08	WIRE(GREEN/YELLOW)	1	PC.
265			36A-71081-08	WIRE(BLACK)	1	PC.
266			36A-71082-08	WIRE(RED)	1	PC.
267			36A-71083-08	WIRE(RED)	2	PC.
268			36A-71084-08	WIRE(GREEN/YELLOW)	1	PC.
269			36A-71085-08	WIRE(BLUE)	1	PC.
270			36A-71086-08	WIRE(BLUE)	1	PC.
271			36A-71087-08	WIRE(BLUE)	1	PC.
272			36A-71088-08	WIRE(BLUE)	1	PC.
273			36A-71089-08	WIRE(BLUE)	2	PC.
274			36A-71090-08	WIRE(RED)	1	PC.
275			36A-71091-08	WIRE(GREEN/YELLOW)	1	PC.
276			36A-71092-08	WIRE(RED)	1	PC.
277			36A-71093-08	WIRE(RED)	1	PC.
278			36A-71094-08	WIRE(GRAY)	1	PC.

Item No	Type	Ref	Part No	Description	Qty	Unit
279			36A-71095-08	WIRE(ORANGE)	1	PC.
280			36A-71096-08	WIRE(WHITE)	1	PC.
281			36A-71097-08	WIRE(BLACK)	1	PC.
282			36A-98012-08	LABEL(SNOW-RAIN)	1	PC.
283			36A-98013-08	LABEL(CO GAS)	1	PC.
284			36C-91008-18	LABEL(SPEC)	1	PC.
285			36C-90005-08	LABEL(TRADE MARK)	1	PC.
286			36A-98015-08	LABEL(SYMBOL-TANK)	1	PC.
287			36A-98016-08	LABEL(HOT & GAS)	1	PC.
288			36A-98017-08	LABEL(FUEL_COCK)	1	PC.
289			36A-98018-08	LABEL(BARCODE)	1	PC.
290			36A-98019-08	LABEL(CAUTION_ONLY)	1	PC.
291			36A-98020-08	LABEL(CAUTION_BRUSH)	1	PC.
292			36A-79000-08	BATTERY CABLE	1	PC.
<u>ACCESSORIES</u>			- See catalogue or visit www.makita.ca for more optional accessories -			
A01	1		277-90301-H0	ACCESSORY TOOL KIT	1	PC.
	2		277-90301-J0	ACCESSORY TOOL KIT	1	PC.
A02			279-50110-08	STARTER ROPE	1	PC.
A03	2		065-01402-10	SPARK PLUG (BR6HS)	1	PC.
A04			110004-C	WHEEL KIT (SEE PARTS BREAKDOWN 110004-C)	1	PC.

SERVICE CHANGES

(TI#Y06940)
(TI#Y06478) (TI#Y06943) (TI#Y07272)

1. Changes on Release lever and Return Spring

(TI#Y05704)

(TI#Y06478)

(TI#Y06943)

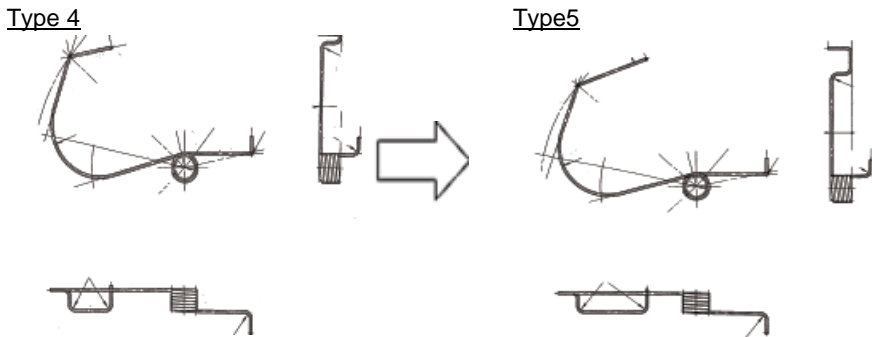
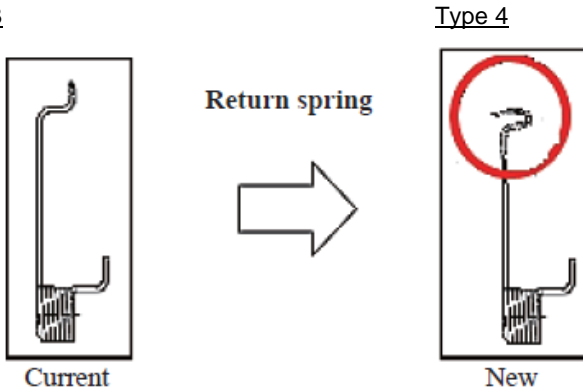
(TI#Y07272)

Item No.	Description	Type 1	Type 2	Type 3	Type 4	Type 5
38	Cam Shaft Complete	279-31602-11	279-31602-21	279-31602-31	279-31602-41	279-31602-51
42	Release Lever	279-36401-03		279-36401-13		
44	Return Spring	279-38701-13		277-38703-13	277-38703-23	277-38703-33

Above parts are completely interchangeable as a set.

No. 42 & 44 are included in No. 38

No.44 Type 3



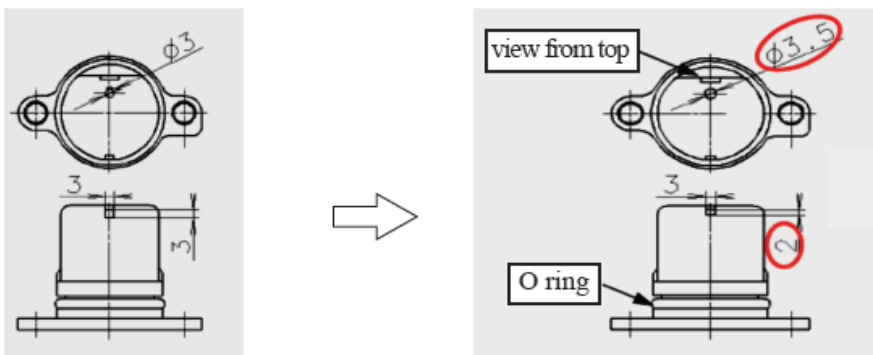
2. Change on Oil Sensor Complete

(TI#Y07024)

Item No.	Description	Type 1	Type 2
180	Oil Sensor Complete >Oil Level Sens	279-76301-51	279-76301-61

Type 1

Type 2



Color of Protection tube: gray

Color of Protection tube: blue

2. Change on Oil Sensor Complete

(TI#Y07024)

Item No.	Description	Type 1	Type 2
230	Control Panel CP	36c-41006-08	36C-41013-08
235	Circuit Breaker 20A	36C-48001-08	36C-48006-08

Above parts are completely interchangeable as a set

Type 1 : Serial No. ~1013542

Type 2 : Serial No. 1013543 ~